

DSP8030

30W 8" Frameless Coaxial Ceiling Speaker



Description

The DSP8030, a robust 30W 8" frameless coaxial ceiling speaker, is engineered to elegantly merge with the aesthetics of any indoor environment, boasting an ultra-narrow design and RAL white finish, while providing powerful and clear audio distribution for an immersive listening experience.

Features

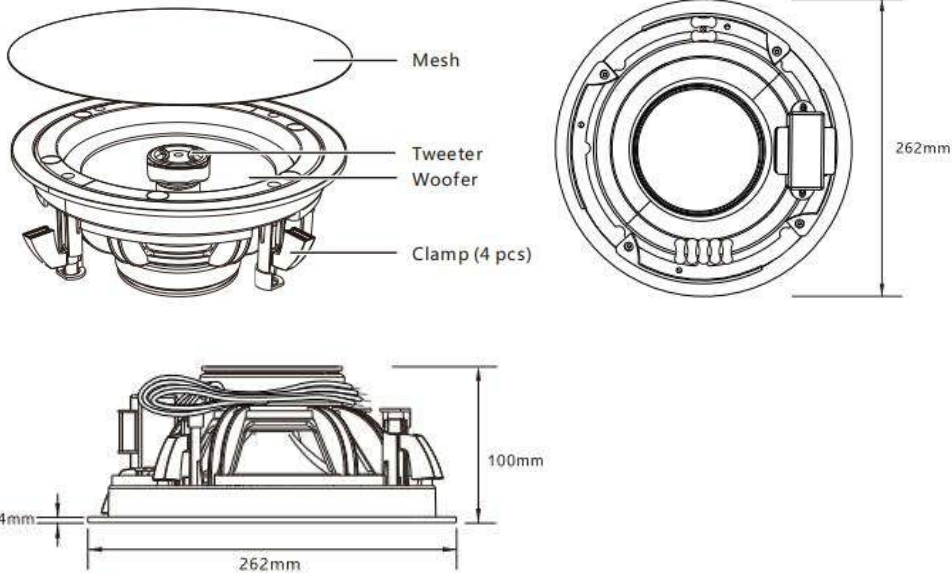
- Adopt the stylish ultra-narrow design, combined with the RAL white coating,
- to be perfectly integrated into any indoor occasion.
- With 8" woofer and magnetic circuit coated by a special process of engineering
- plastics, PP injection drum paper, waterproof surface, and optional rear
- cover for stronger low-frequency sound.
- With coaxial 1" tweeter for clear and bright treble, and the diffractive loading
- of the treble for wide and uniform coverage.
- Compliance with IEC 268-5 power handling capability (PHC) standard,
- it can work continuously for 100 hours at rated power. With Simulated
- Acoustic Feedback Exposure (SAFE) test, it can withstand twice the rated
- power in a short period of time, which ensures the high reliability of the
- speaker under extreme conditions, prolongs the service life and significantly
- reduces the chance of failure or performance degradation.
- With flexible movable clamp design, easy to install, durable and reliable.

Specifications

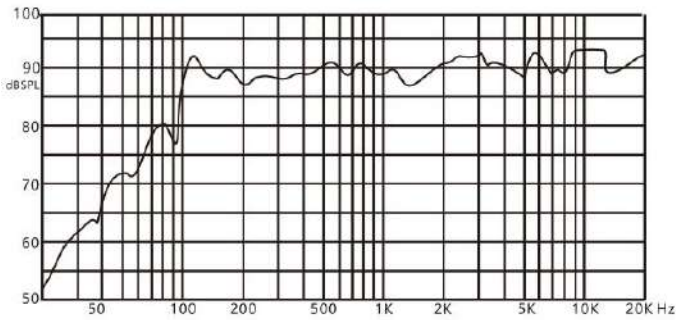
Model	DSP8030
Unit Driver	8"×1, 1"×1
Rated Power(RMS)	30W

Rated Impedance	8Ω
Rated Voltage	70V/100V
Sensitivity(1m,1W)	88+2dB
MAX.SPL.(1m)	103+2dB
Frequency Response	55Hz-20kHz
Dimensions	Φ262×100mm
Weight	1.8kg

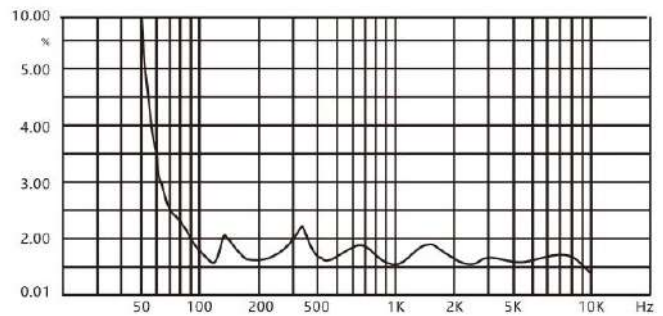
Product Information



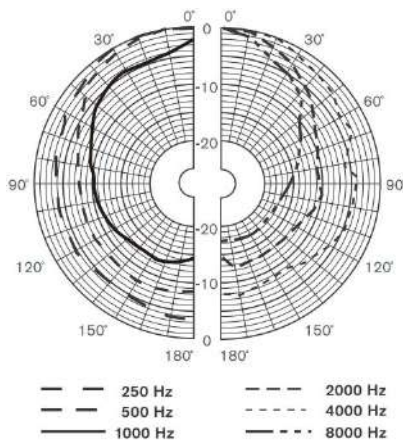
Frequency Response (dB SPL, 1W, 1m)



Distortion(THD<5% 1W、1m、100Hz-10kHz)



Vertical Directivity Pattern



Horizontal Directivity Pattern

