

DSP6114-12A DSP6116A-12A

Outdoor Active Waterproof Column Speaker



Description

The DSP6114A-12V / DSP6116A-12V Outdoor Active Waterproof Column Speaker delivers exceptional durability and performance, featuring photovoltaic energy storage, a DC12V power supply, and can be integrated with outdoor surveillance cameras to execute audio amplification commands from the monitoring system, satisfying the requirements for all-weather outdoor environments. It complies with EN 60529 IP66 and EC60068-2-52 standards, making it perfect for long-term outdoor use and flexible, convenient installation.

Features

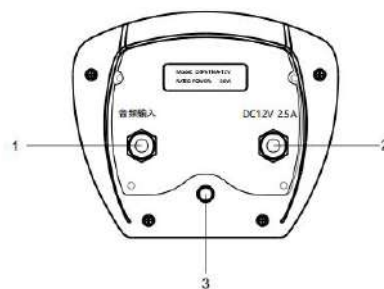
- Available in 20W and 40W.
- The main hardware of the sound column adopts small-volume module design, making maintenance and replacement quick.
- By connecting with the audio signal of the surveillance camera, regional detection alarms and warning broadcasts in the background of the security system can be realized.
- Support photovoltaic energy storage with DC12V power supply, suitable for hills and rivers without the need for 220V mains power supply.
- Main interface: 1 waterproof audio input interface, 1 DC power interface, with mounting holes on the top and bottom covers.
- Compact and aesthetically pleasing product design, flexible and convenient installation and maintenance.
- Equipped with high sensitivity, high dynamic range speaker units with a two-way design, providing powerful bass and clear, delicate treble for excellent voice reproduction.

- Built-in digital amplifier with low distortion, low noise, and large dynamic range.
- Feature self-protection functions, including temperature protection and short-circuit protection.
- Complies with multiple standards including EN 60529 IP66 for waterproof and dustproof performance, and EC60068-2-52 for corrosion resistance.
- Suitable for long-term outdoor use.
- Speaker enclosure made of thickened aluminum with an integrated sealing design to effectively prevent air leakage and resonance.
- Aluminum shell, cover and grille are made of aluminum alloy with UV-resistant coating, ensuring durability for outdoor use.
- Front panel made of polymer injection molding, featuring waterproof and mildew-resistant properties.
- Bottom cover designed with drainage holes to effectively eliminate internal water accumulation from exposure to the elements.

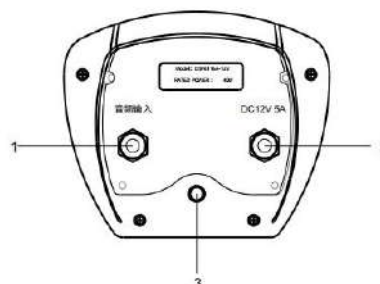
Specifications

Model		DSP6114A-12V	DSP6116A-12V
Acoustic System	Driver Unit	4"x2, 1"x1	4"x4, 1"x1
	Sensitivity	88+2dB	92+2dB
	Max. SPL	101+2dB	107+2dB
	Freq. Response Range	180Hz-16Hz	180Hz-16Hz
	Rated Power	20W	40W
Amplifier System	NET Playback Power Amplifier System		
	Sensitivity	350mV	350mV
	Distortion	≤1%	≤1%
	SNR	≥76dB	≥76dB
Power Supply		DC12V 2.5A	DC12V 5A
Package Size (H×W×D)		475×310×190mm	700×310×190mm
Product Size (H×W×D)		418×137×117mm	643×137×117mm
Gross Weight		7.5kg (2PCS)	11.5kg (2PCS)
Net Weight		3.0kg	5.0kg

Product Information



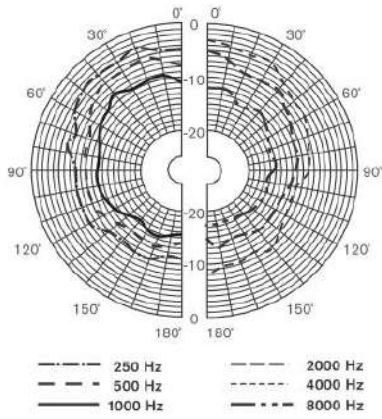
DSP6114A-12V



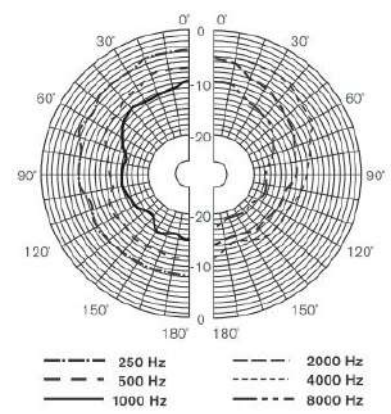
DSP6116A-12V

1. Waterproof Audio Input Interface
2. DC Power Interface
3. Bracket Mounting Hole

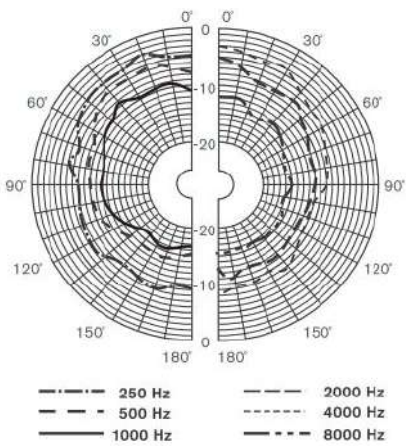
DSP6114A-12V Vertical Directivity Pattern



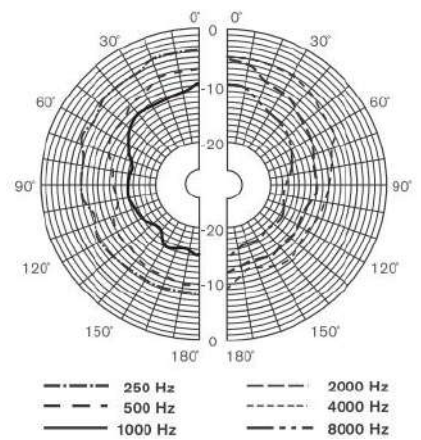
DSP6114A-12V Horizontal Directivity Pattern



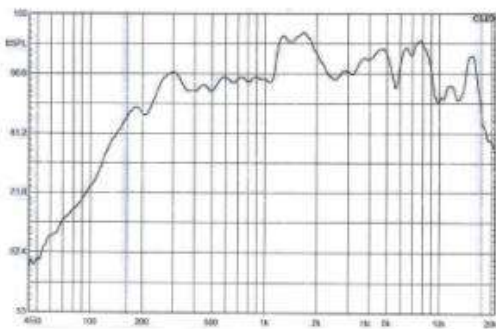
DSP6116A-12V Vertical Directivity Pattern



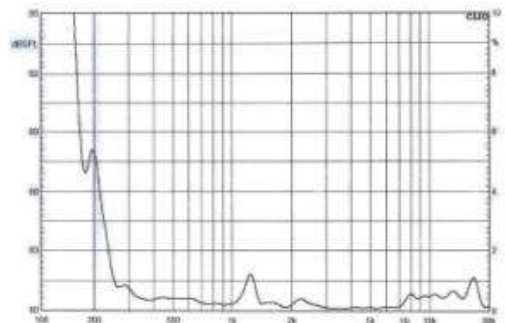
DSP6116A-12V Horizontal Directivity Pattern



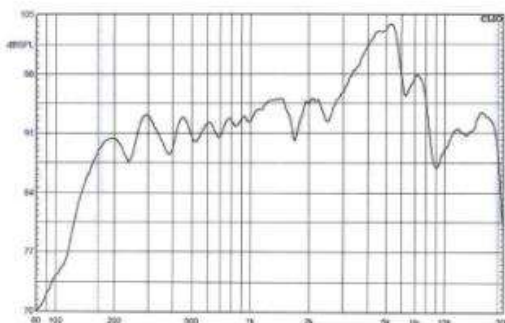
DSP6114A-12V Freq.Response (dB SPL, 1W, 1m)



DSP6114A-12V Distortion (THD<5% 1W, 1m, 100Hz-10kHz)



DSP6116A-12V Freq.Response (dB SPL, 1W, 1m)



DSP6116A-12V Distortion (THD<5% 1W, 1m, 100Hz-10kHz)

