

# DSP5012 DSP5012L

## 8" 35W Ceiling Speaker



### Description

This product is a coaxial two-way ceiling speaker, with a wide diffusion angle, large output power, easy installation, and super-strong reproduction of voice and music. It is an ideal choice for you to install the ceiling speaker with superior sound quality.

### Features

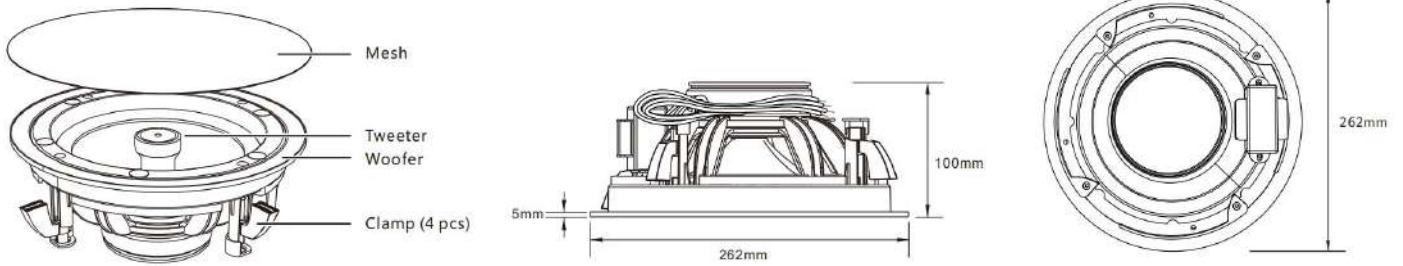
- Adopt the stylish ultra-narrow design, combined with the RAL white coating, to be perfectly integrated into any indoor occasion.
- With 8" woofer, magnetic circuit coated by a special process of engineering plastics, and pressed black polypropylene cone-shape drum paper, waterproof and moistureproof, and with optional rear cover for stronger low-frequency sound.
- With a 14-core tweeter for clear and bright treble, and the diffractive loading of the treble for wide and uniform coverage.
- Compliance with IEC 268-5 power handling capability (PHC) standard, it can work continuously for 100 hours at rated power. With Simulated Acoustic Feedback Exposure (SAFE) test, it can withstand twice the rated power in a short period of time, which ensures the high reliability of the speaker under extreme conditions, prolongs the service life and significantly reduces the chance of failure or performance degradation.
- With flexible movable clamp design, easy to install, durable and reliable.

### Specifications

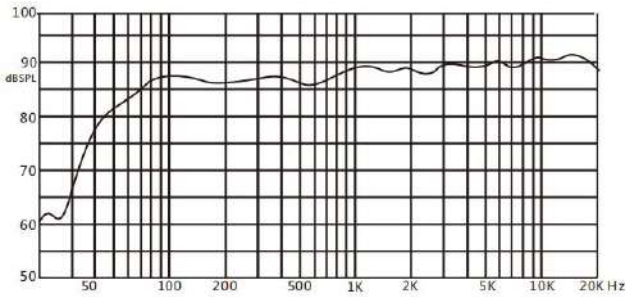
Model	DSP5012	DSP5012L
Unit Driver	8"×1	8"×1
Rated Power	35W	35W

Impedance	70V/100V	8Ω
Sensitivity (1m, 1W)	88±3dB	88±3dB
MAX. SPL. (1m)	103±3dB	103±3dB
Freq. Resp.	55Hz-20KHz	55Hz-20KHz
Dimension	Φ262×100mm	Φ262×100mm
Weight	2kg	1.4kg

## Product Information

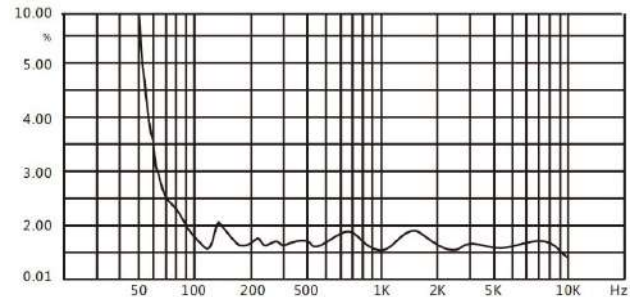


**Frequency Response**  
(dB SPL, 1W, 1m)

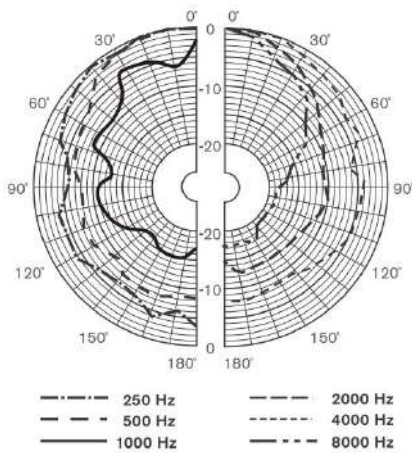


**Distortion**

(THD < 1.5% 1W, 1m, 100Hz-10kHz)



**Vertical Directivity Pattern**



**Horizontal Directivity Pattern**

