

# DK6915 DK6925 DK6935 DK6950 DK6965

## Conference Digital Mixer Amplifier



### Description

The conference digital mixer amplifier is a series of PA amplifiers that integrates equalization functions and pre- and post-amplification functions. The entire series has been redesigned with a stylish appearance, featuring all-digital amplifiers. Each model is equipped with a 2.8" color LCD screen and a rotary encoder (also known as a jog dial) for user interaction. Additionally, independent volume setting buttons for each audio source allow for easy volume control. The series successfully maintains the original power output while incurring costs that are very close to the original, significantly simplifying the complex panel design of the previous MK69 series and offering a more user-friendly human-machine interaction experience. The broader power coverage and the integration of RS485 remote control have expanded the range of applications for these amplifiers. This series of products is equipped with 3 stereo input ports, 2 6.3mm microphone input ports, 2 XLR microphone input ports, 1 stereo line output port, 1 recording output port, and 2 amplifier output terminals. Bluetooth/MP3 playback, 3 stereo channels, and 4 microphones are provided with independent volume control, each with a 10-band digital equalization. After mixing the three audio sources, there are independent EQ presets with a variety of effects. The microphones have anti-feedback functionality, and the amplifier offers a master output volume control.

### Features

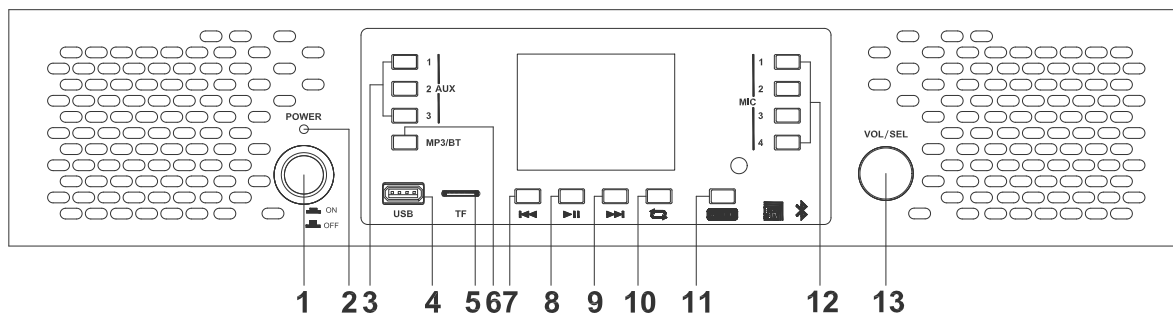
- The standard 2U rack-mounted design features a metallic painted iron panel, ensuring a cost-effective yet high-quality appearance.
- 2×150W/8Ω, 2×250W/8Ω, 2×350W/8Ω, 2×500W/8Ω, 2×650W/8Ω, with all supporting 4Ω loads.
- 2.4" color LCD display.
- Primary operations are conducted via a jog dial, with each audio source having independent volume buttons for easy adjustment, with a user-friendly interface to prevent misoperation.
- 2 6.3mm microphone inputs with individual volume control, reverb effect processing, and 10-band digital equalization.
- 2 rear panel balanced microphone inputs with individual volume control, reverb effect processing, and 10-band digital equalization (adjusted after mixing with 6.3mm microphone inputs). These inputs offer selectable 48V phantom power (with independent switch control) and input sensitivity options of 5mV or 250mV (compatible with conference handheld microphones).

- 3 audio line inputs, each with independent volume control and 10-band digital equalization.
- 1 stereo audio line output, with various preset EQ effects after mixing.
- The 3 line inputs can be mixed with 4 microphone inputs and MP3/BT for output.
- Bluetooth and MP3 playback, with support for USB and Micro SD cards (compatible with MP3, M4A, WAV, APE, and FLAC formats, including lossless formats up to 44.1kHz/48kHz 16-bit), each with independent volume control and 10-band digital equalization.
- With anti-feedback functionality for microphones.
- The microphone priority function offers six levels of mixing depth: 100% (original mix with AUX and MP3 signals), 70%, 50%, 30%, and 10% (AUX and MP3 signal volumes reduced to 70%, 50%, 30%, and 10% of 100% full volume, respectively), and MUTE (AUX and MP3 signal volumes reduced to 0).
- RS485 remote control support for all volume and equalization adjustments.

## Specifications

Model	DK6915	DK6925	DK6935	DK6950	DK6965
Microphone Input Sensitivity	5mV-250mV adjustable				
Line Input Sensitivity	250±25mV				
MP3 Input	-10dB/1KHZ				
Line Output Voltage	1000±100mV				
Total Harmonic Distortion	≤0.5 (1KHZ, under normal operating conditions)				
Line Frequency Response	20-20kHz (±3dB)				
Microphone Frequency Response	80-20kHz (±3dB)				
10-Band Equalization for Microphone	31HZ: ±12dB		63HZ:±12dB		
	125HZ: ±12dB		250HZ: ±12dB		
	500HZ: ±12dB		1KHZ: ±12dB		
	2KHZ: ±12dB		4KHZ: ±12dB		
	8KHZ: ±12dB		16KHZ: ±12dB		
	10-Band Equalization for AUX	31HZ: ±12dB		63HZ:±12dB	
125HZ: ±12dB		250HZ: ±12dB			
500HZ: ±12dB		1KHZ: ±12dB			
2KHZ: ±12dB		4KHZ: ±12dB			
8KHZ: ±12dB		16KHZ: ±12dB			
10-Band Equalization for MP3&BT/LINE		31HZ: ±12dB		63HZ:±12dB	
	125HZ: ±12dB		250HZ: ±12dB		
	500HZ: ±12dB		1KHZ: ±12dB		
	2KHZ: ±12dB		4KHZ: ±12dB		
	8KHZ: ±12dB		16KHZ: ±12dB		
	S/N Ratio (A-weighted)	≥85dB			
Operating Power	AC220V/50-60Hz				
Phantom Voltage	+48±5V				
Rated Power	2×150W/8Ω	2×250W/8Ω	2×350W/8Ω	2×500W/8Ω	2×650W/8Ω
	/2×250W/4Ω	/2×350W/4Ω	/2×550W/4Ω	/2×750W/4Ω	/2×950W/4Ω
Gross Weight	7.15kg	7.65kg	8.45kg	9.5kg	9.6kg
Net Weight	5.45kg	5.95kg	6.75kg	7.8kg	7.9kg
Outer Package Dimensions (L×W×H mm)	530*518*155MM			530*548*155MM	
Machine Dimensions (L×W×H mm)	430*360*88MM			430*390*88MM	

## Front Panel



### 1. Power Switch

### 2. Power Switch Indicator

When the power is on, the indicator light will be red; when the power is off, the indicator light will be off.

### 3. AUX1/2/3 Volume Button

After pressing any channel of AUX1/2/3, you will enter the volume adjustment interface for that channel, allowing you to adjust the volume for that channel. (You can increase or decrease the volume with the Previous/Next button or VOL/SEL button).

### 4. USB Interface

Connect a storage device such as a USB flash drive or external hard drive containing MP3 files to this interface to provide program sources for the unit. Note: To ensure that the information on the storage device is not lost, try to turn off the power of the unit before removing the USB flash drive or other connected devices.

### 5. TF Card

### 6. MP3/BT Volume Button

After pressing this button, you will enter the volume adjustment interface for that audio source, allowing you to adjust the volume for that channel (You can increase or decrease the volume with the "Previous/Next" button or "VOL/SEL" button). Long press the "VOL/SEL" button to enable or disable the "Auto Standby" feature. When "Auto Standby" is enabled without an active signal, the amplifier will enter standby mode after 15 minutes, indicated by a relay click.

### 7. Previous Button

In SD card, MP3, and Bluetooth modes, you can switch to the previous track and adjust the volume for AUX1/AUX2/AUX3, MP3, and

MIC1/MIC2/MIC3/MIC4.

### 8. Pause/Play Button

In SD card, MP3, and Bluetooth modes, you can play/pause music.

### 9. Next Button

In SD card, MP3, and Bluetooth modes, you can switch to the next track and adjust the volume for AUX1/AUX2/AUX3, MP3, and MIC1/MIC2/MIC3/MIC4.

### 10. Playback Mode Button

In SD card and MP3 source modes, you can select playback modes (including loop all, single play, single cycle, and random play). In function selection, use it to return.

### 11. MODE Button

Press the button to switch audio source modes (including AUX mode, MP3 mode, and Bluetooth mode). Long press the button to enter the settings interface.

### 12. MIC1/MIC2/MIC3/MIC4 Button

After pressing this button, you will enter the volume adjustment interface for that audio source, allowing you to adjust the volume for that channel (You can increase or decrease the volume with the "Previous/Next" button or "VOL/SEL" button). Long press the "VOL/SEL" button to enable or disable the anti-feedback function in no-signal state, which applies to all MIC channels rather than individual channels.

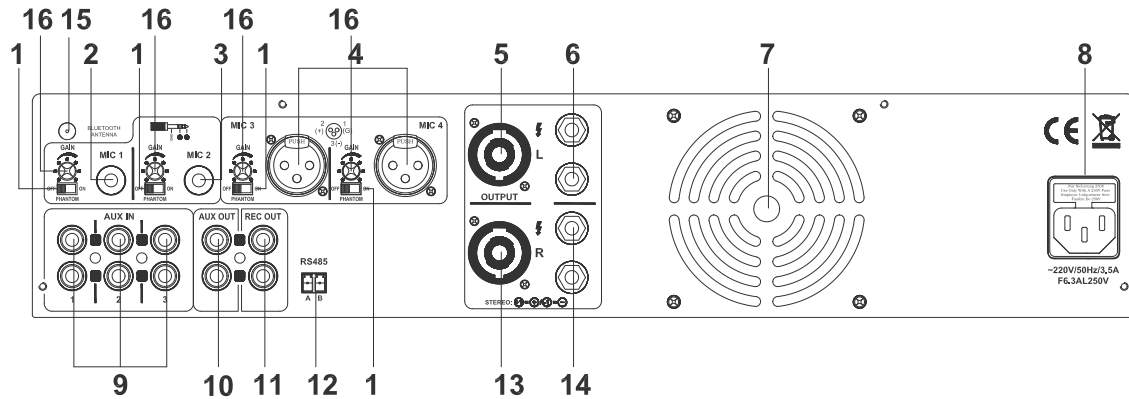
### 13. VOL/SEL Button

Turn clockwise/counterclockwise to adjust the volume or select functions. Turn clockwise to increase the volume, and counterclockwise to decrease the volume. Short press the button to

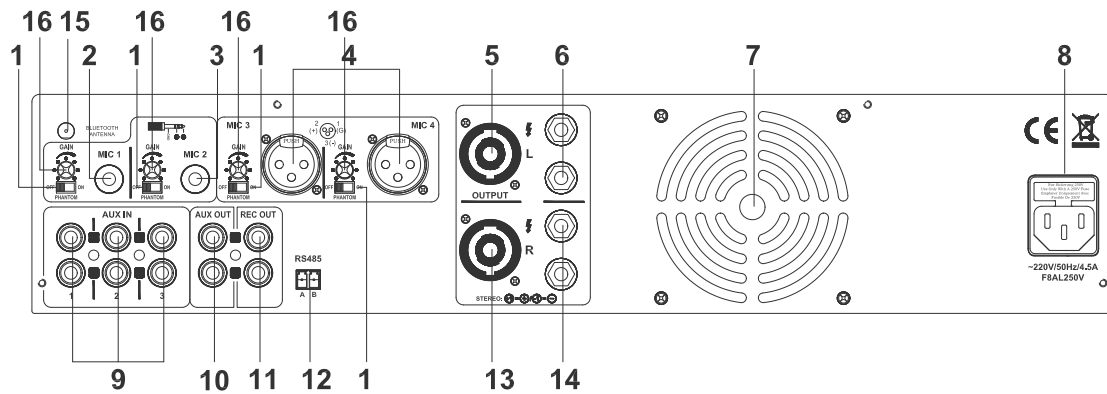
confirm function selection, long press the button to enter the settings interface. When selecting

functions, turn clockwise to move up the option, and counterclockwise to move down the option.

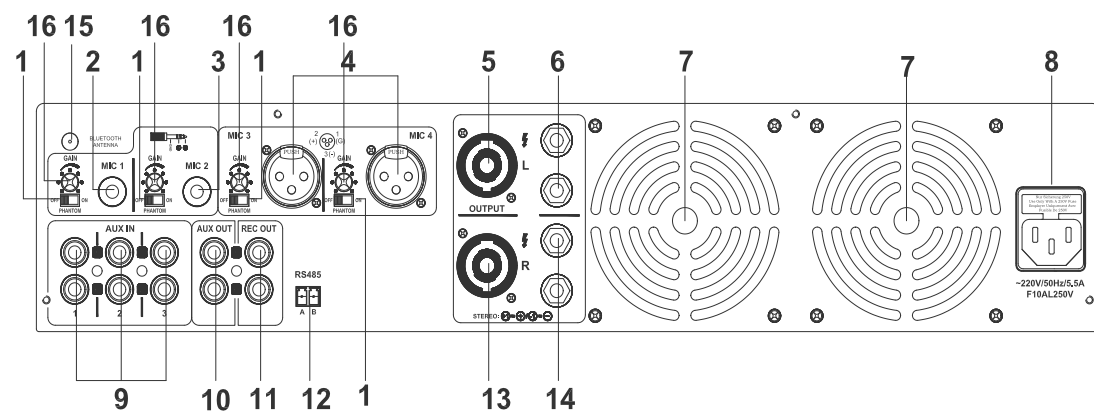
## Rear Panel



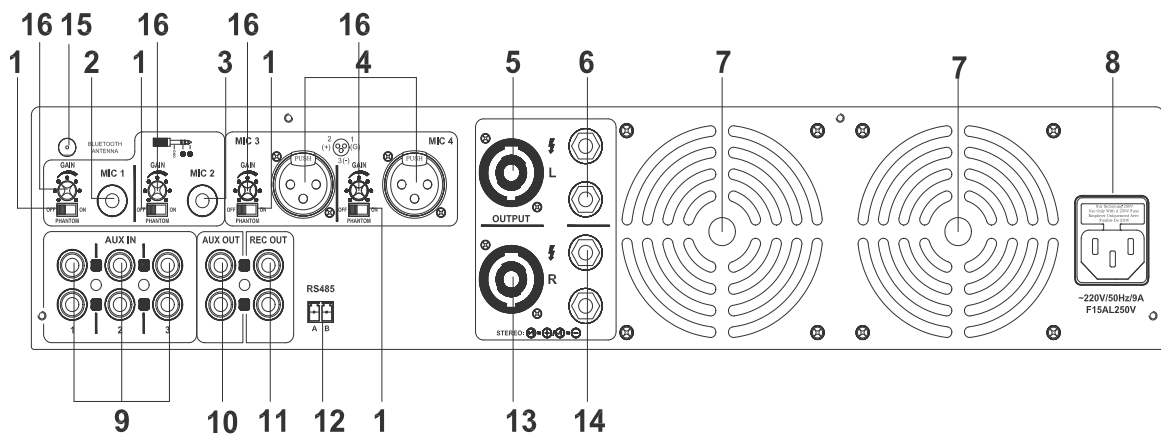
**DK6915 Rear Panel**



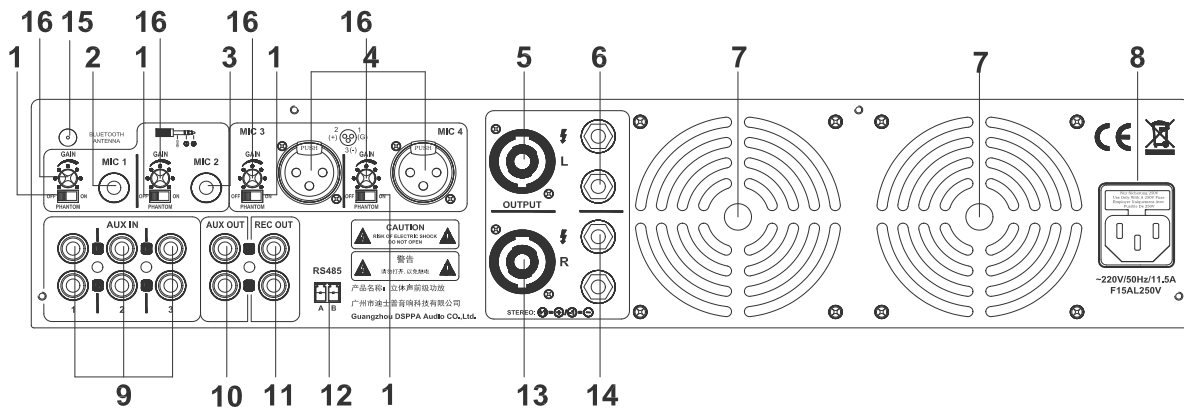
**DK6925 Rear Panel**



**DK6935 Rear Panel**



**DK6950 Rear Panel**



**DK6965 Rear Panel**

**1. MIC1/MIC2/MIC3/MIC4 Phantom Power Switch**

The switch can be toggled left or right to select the phantom power. (Note: When operating this switch, first reduce the device volume or turn off the device power.)

**2. MIC1 Interface**

Connect a microphone for local paging or live speech.

**3. MIC2 Interface**

Connect a microphone for local paging or live speech.

**4. MIC2/MIC3 Balanced Input Interface**

**5. OUTPUT Interface**

**6. Positive Output Terminal (connected to the “+” end of the speaker).**

**7. Cooling Fan Vent**

Do not block the cooling fan vent under any circumstances.

**8. Power Input Socket (AC220-250V)**

Connect the power plug to this socket. When connecting, insert the plug into the machine first,

and then connect to the power grid.

**9. AUX1/AUX2/AUX3 Input Port**

**10. AUX Output Port**

**11. Recording Output Interface**

**12. RS485 Interface**

**13. SPEAKON Speaker Interface**

**14. Negative Output Terminal (connected to the “-” end of the speaker).**

**15. Bluetooth Antenna**

**16. Microphone Gain Adjustment, 0-250mV**

## Remote Controller

1. **On/Off button:** Press to turn it on or off.
2. **Mode button:** Press to switch between audio source modes.
3. **Mute button:** Press to mute the output, and the display will show a mute icon; press again to resume output.
4. **Pause/Play button:** Press to pause the audio playback; press again to resume playback.
5. **Previous/Next button:** Press to switch to the previous or next track.
6. **EQ button:** Press to adjust the sound effects.
7. **Volume +/- button:** Press to increase or decrease the volume.
8. **Direct number selection button:** Press to select music tracks directly.
9. **PRT button:** Press to select the playback mode.
10. **SCN button:** When both a USB flash drive and SD card are present, press to switch between USB and SD card audio sources.

